

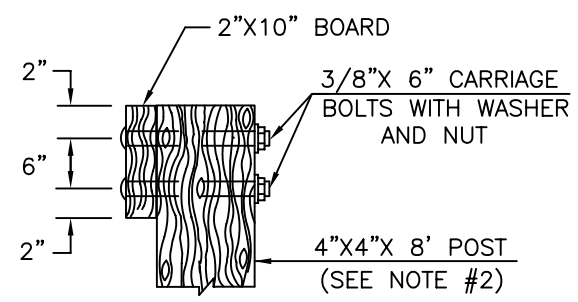
BARRICADE TYPE 3

REFLECTOR CASE 2

SECTION A-A

NOTES

1. STRIPES SHALL BE WHITE AND ORANGE FOR TEMPORARY BARRICADE DURING CONSTRUCTION PHASE OF WHITE AND RED FOR PERMANENT BARRICADE WITH A MATERIAL THAT HAS A HIGH INTENSITY AND SMOOTH SEALED OUTER SURFACE.
2. USE ONLY PRESSURE TREATED POSTS (ASTM D-1760 PRESSURE TREATMENT OF TIMBER PRODUCTS).
3. USE ONLY GALVANIZED COATED HARDWARE.
4. THE SPACING OF REFLECTORS SHALL ALIGN WITH BARRICADE POSTS.
5. REFLECTOR PANEL AND POST ASSEMBLY SHALL COMPLY WITH FDOT INDEX No.17349 FOR CASE 2.



WOOD POST

| | | | |
|--|------|--------|-------|
| DEPARTMENT OF PUBLIC WORKS PINELLAS COUNTY, FLORIDA | | | |
| BARRICADE WITH REFLECTORS | | | |
| APPROVED BY: | DATE | SHEET | INDEX |
| _____ DIRECTOR OF PUBLIC WORKS | 7/03 | 1 of 1 | 1406 |