

TRAIL INTERSECTION DETAIL

NOT TO SCALE

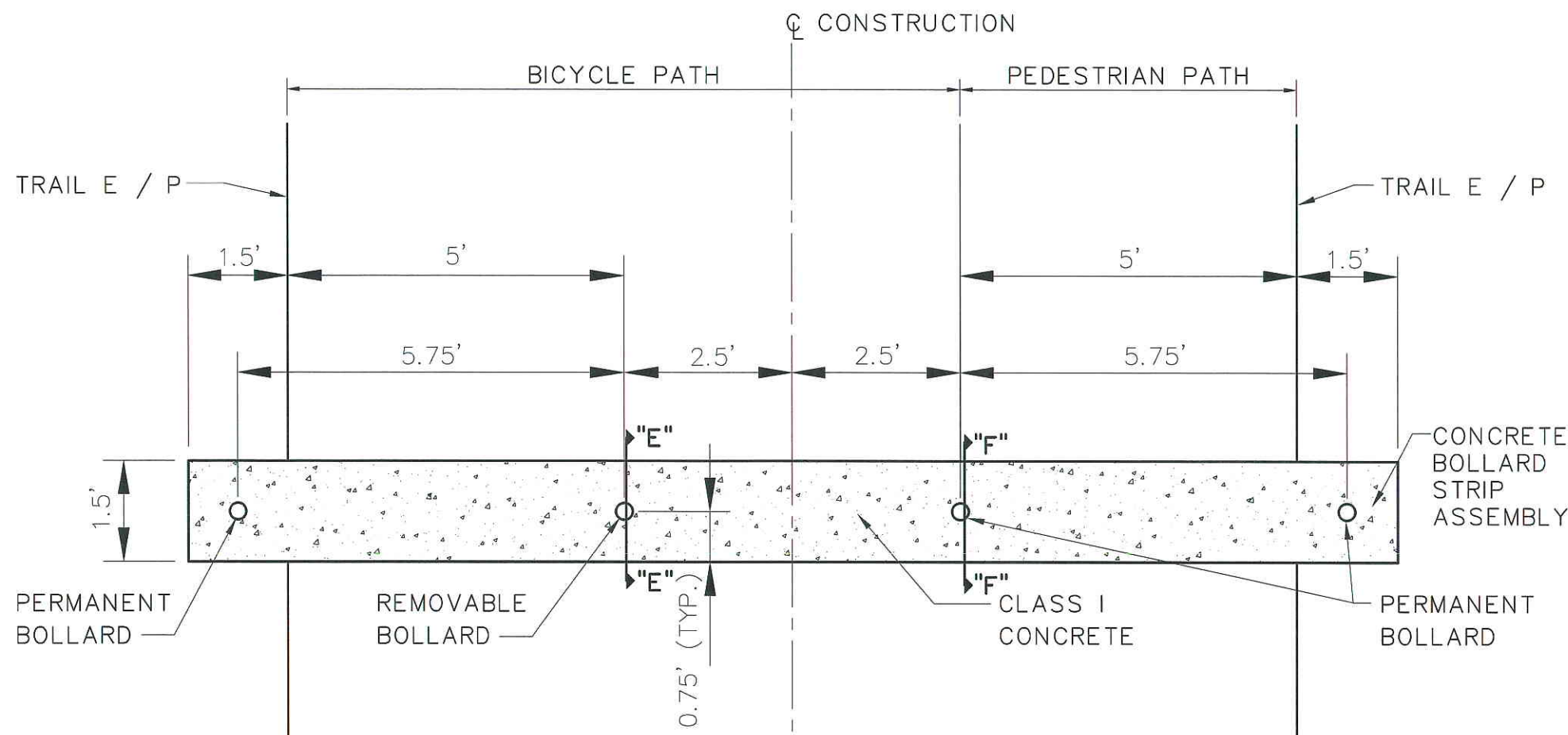
NOTES:

1. WARNING SIGNS W11-1, W16-9P, W16-7P SHALL BE IN ACCORDANCE WITH THE MUTCD, SECT. 1A-12, COLOR CODE "F" - FLUORESCENT YELLOW-GREEN.
2. NOTE: TRAILS NETWORK WITHIN A PARK MAY REQUIRE MIRROR IMAGE CONSTRUCTION OF THIS DETAIL. THE CONTRACTOR SHALL CONFIRM THE ORIENTATION EACH TRAIL CROSSING WITH THE COUNTY PRIOR TO THE INSTALLATION AND STRIPING OF THE TRAIL CROSSINGS.
3. OFFSET DISTANCES FOR SIGNS SHALL BE IN ACCORDANCE WITH FDOT DESIGN STANDARDS AND/OR DIMENSIONS PROVIDED IN THE CONSTRUCTION PLANS.

DEPARTMENT OF PUBLIC WORKS
PINELLAS COUNTY, FLORIDA

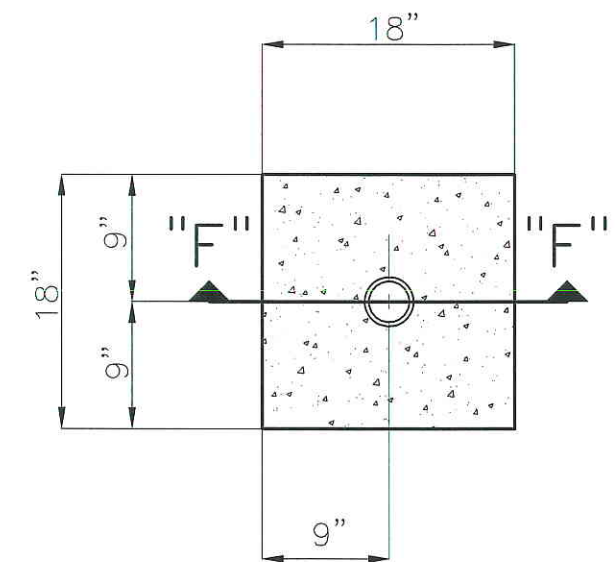
**P.C.E.D. TRAIL INTERSECTION
CROSSING DETAIL**

APPROVED BY: <i>Peter 9/8</i> DIRECTOR OF PUBLIC WORKS	DATE 5/09	SHEET 1 of 5	INDEX 1365
--	--------------	-----------------	---------------



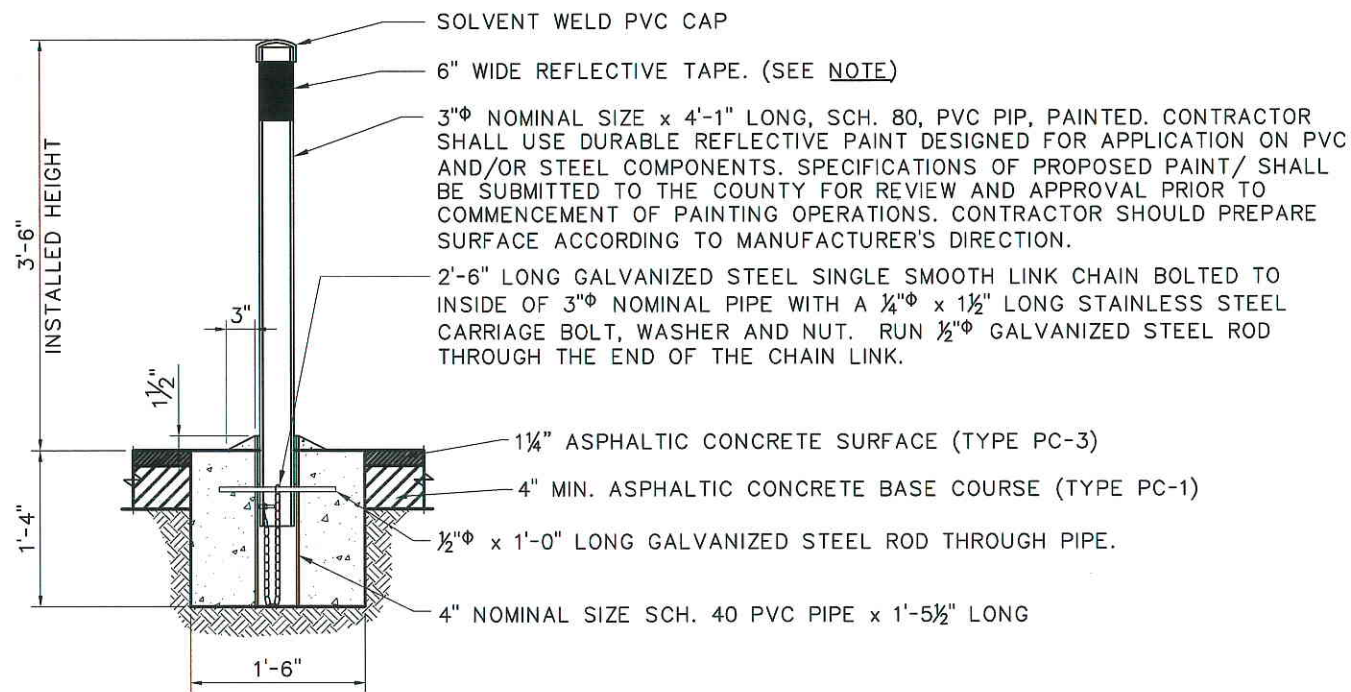
ALL BOLLARDS CONSTRUCTED WITHIN THE CONCRETE BOLLARD STRIP ASSEMBLY ARE PAID FOR UNDER CONCRETE BOLLARD STRIP ASSEMBLY - ALL BOLLARDS CONSTRUCTED OUTSIDE CONCRETE BOLLARD STRIP ASSEMBLY ARE PAID UNDER SEPARATE PAY ITEM UNLESS OTHERWISE NOTED

DETAIL "C"
SCALE: 1/2"=1'-0"



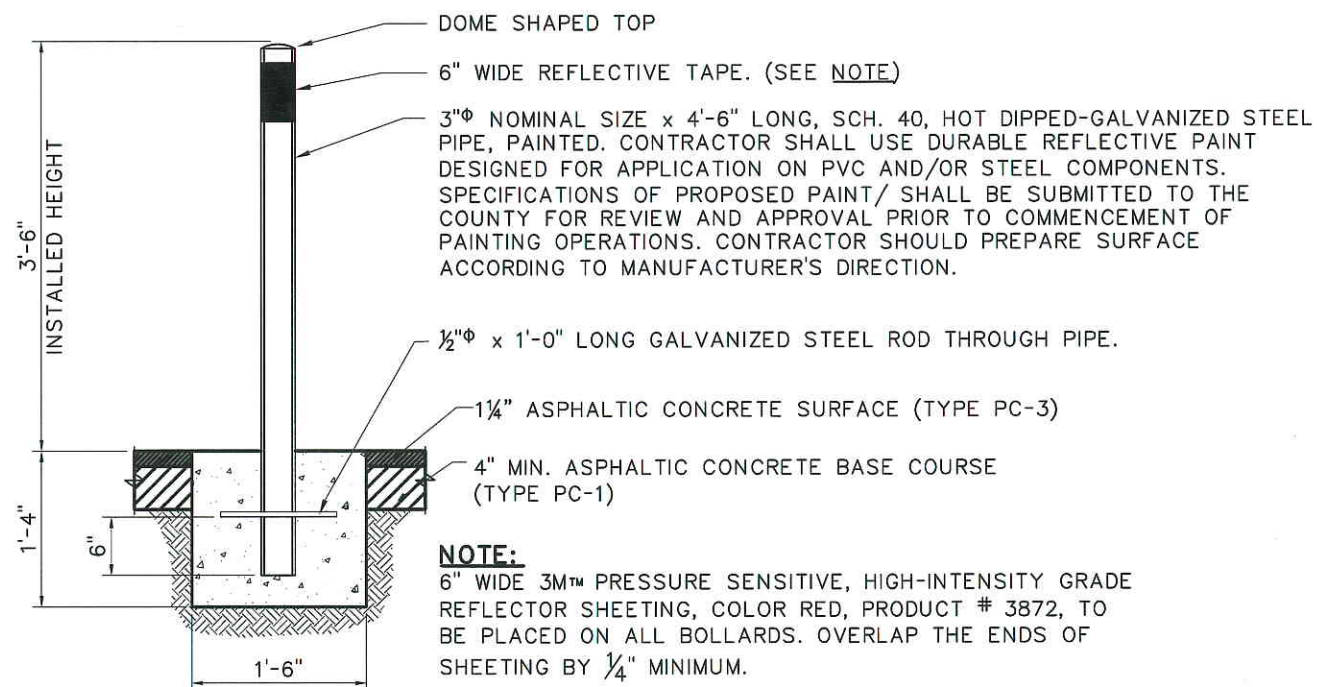
DETAIL "D"
NOT TO SCALE

DEPARTMENT OF PUBLIC WORKS PINELLAS COUNTY, FLORIDA			
P.C.E.D. TRAIL INTERSECTION CROSSING DETAIL			
APPROVED BY: 	DATE 5/09	SHEET 2 of 5	INDEX 1365
DIRECTOR OF PUBLIC WORKS			



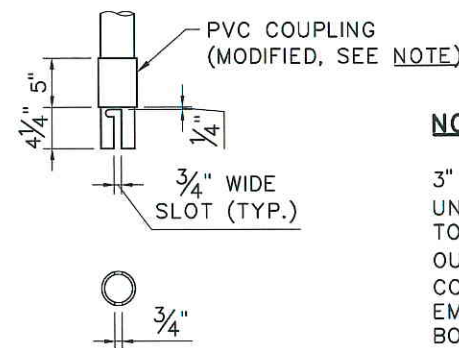
REMOVABLE BOLLARD DETAIL "E"

NOT TO SCALE



PERMANENT BOLLARD DETAIL "F"

NOT TO SCALE



NOTE:

3" P.V.C. COUPLING SHALL BE MACHINED FOR A SLIP-FIT. UNIFORM INSIDE ϕ IN ORDER TO ALLOW THE COUPLING TO BE SOLVENT WELDED AT THE POSITION SHOWN. THE OUTSIDE ϕ SHALL BE MACHINED TO ALLOW THE COUPLING TO SLIDE FREELY WITHIN THE 4" P.V.C. PIPE EMBEDDED IN CONCRETE AS SHOWN IN THE REMOVABLE BOLLARD DETAIL.

SLOT AND COUPLING DETAIL

NOT TO SCALE

TRAIL NOTES:

1. ALL CONSTRUCTION AND MATERIALS SHALL CONFORM TO U.S. DEPARTMENT OF TRANSPORTATION ; FEDERAL HIGHWAY ADMINISTRATION MANUAL ON UNIFORM CONTROL DEVICES.
2. TRAIL TO HAVE THE TYPICAL SIGNING AND PAVEMENT MARKINGS AS DESIGNATED ON THESE PLANS. REFER TO PAY ITEM 710-12.
3. ALL SIGNAGE TO BE ERRECTED ALONG TRAIL IS TO BE OFFSET 4' FROM EDGE OF PAVEMENT TO NEAREST EDGE OF SIGN AND 7' FROM THE PROPOSED GRADE TO THE BOTTOM OF THE SIGN.

ALL BOLLARDS CONSTRUCTED WITHIN THE CONCRETE BOLLARD STRIP ASSEMBLY ARE PAID FOR UNDER CONCRETE BOLLARD STRIP ASSEMBLY - ALL BOLLARDS CONSTRUCTED OUTSIDE CONCRETE BOLLARD STRIP ASSEMBLY ARE PAID UNDER SEPARATE PAY ITEM UNLESS OTHERWISE NOTED

DEPARTMENT OF PUBLIC WORKS
PINELLAS COUNTY, FLORIDA

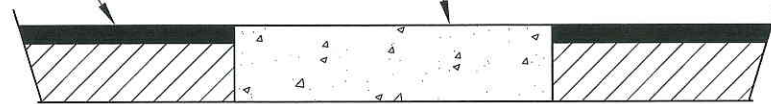
P.C.E.D. TRAIL INTERSECTION CROSSING DETAIL

APPROVED BY: 	DATE 5/09	SHEET 3 of 5	INDEX 1365
------------------	--------------	-----------------	---------------

DIRECTOR OF PUBLIC WORKS

PROPOSED WARNING STRIP
 5' WIDE X 6" DEEP (MIN)
 6" CLASS I CONCRETE
 W/ 6X6-10/10 W.W.F.,
 PLACE ON COMPACTED SUBGRADE IN
 ACCORDANCE WITH PINELLAS COUNTY
 SPECIFICATION 350-0201

PROPOSED ASPHALT
 TRAIL (SEE DETAIL)

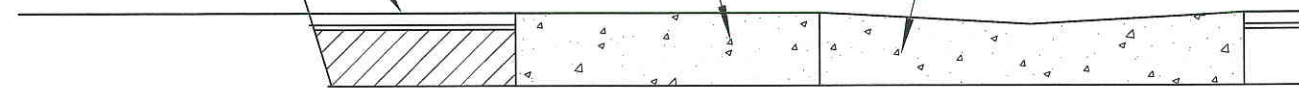


WARNING STRIP DETAIL "G"

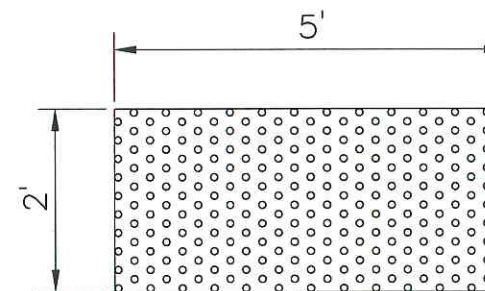
(SEE PLANS FOR LOCATION)

PROPOSED DETECTABLE WARNING
 STRIP 24" WIDE X 6" DEEP (MIN)
 6" CLASS I CONCRETE
 W/ 6X6-10/10 W.W.F.,
 PLACE ON COMPACTED SUBGRADE IN
 ACCORDANCE WITH PINELLAS COUNTY
 SPECIFICATION 350-0201

PROPOSED ASPHALT
 TRAIL (SEE DETAIL)



PROPOSED 36"
 VALLEY GUTTER
 W/ 36" TRANSITION
 PCED INDEX 1315



TRUNCATED DOME
 (TYPE AND COLOR)
 AS PER PINELLAS COUNTY
 SPECIFICATION 522

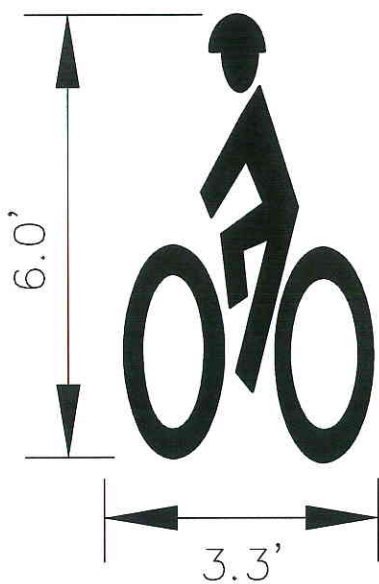
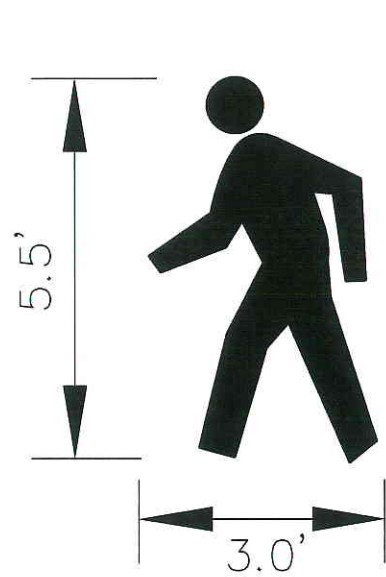
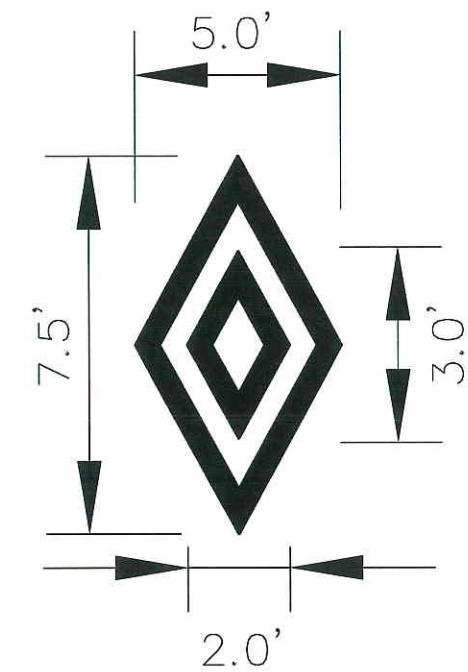
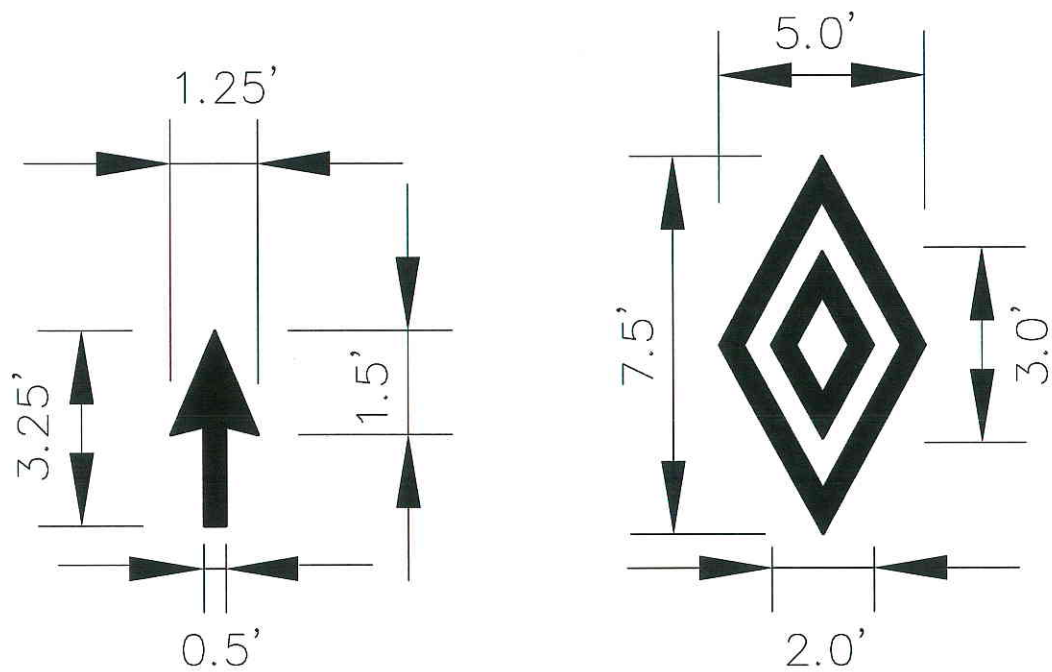
DETECTABLE WARNING STRIP DETAIL "H"

NOT TO SCALE

DEPARTMENT OF PUBLIC WORKS
 PINELLAS COUNTY, FLORIDA

*P.C.E.D. TRAIL INTERSECTION
 CROSSING DETAIL*

APPROVED BY: 	DATE 5/09	SHEET 4 of 5	INDEX 1365
DIRECTOR OF PUBLIC WORKS			



PAVEMENT MESSAGE DIMENSIONS
ALL MARKINGS ARE WHITE

N.T.S.

DEPARTMENT OF PUBLIC WORKS PINELLAS COUNTY, FLORIDA			
P.C.E.D. TRAIL INTERSECTION CROSSING DETAIL			
APPROVED BY:	DATE	SHEET	INDEX
 DIRECTOR OF PUBLIC WORKS	5/09	5 of 5	1365