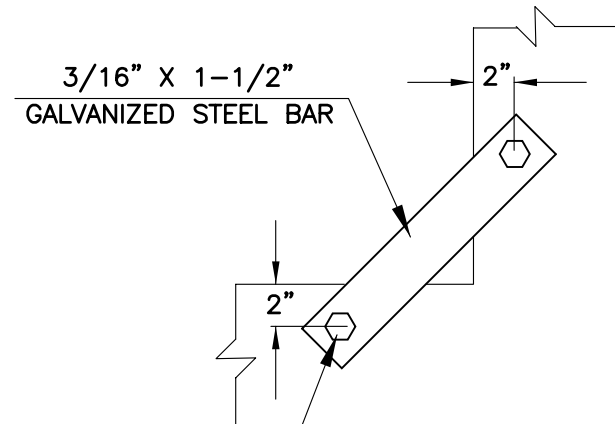


PLAN VIEW

OPTIONAL: ONE RETAINING
BAR ACROSS CENTER
MAY BE USED IN LIEU
OF TWO CORNER BARS



BAR DETAIL

5/8" GALVANIZED STEEL
EXPANSION ANCHORS
OR LEAD SHIELD WITH
STAINLESS STEEL LAG BOLT

DEPARTMENT OF PUBLIC WORKS PINELLAS COUNTY, FLORIDA			
GRATE RETAINING BAR			
APPROVED BY:	DATE	SHEET	INDEX
_____ DIRECTOR OF PUBLIC WORKS	8/96	1 of 1	1295