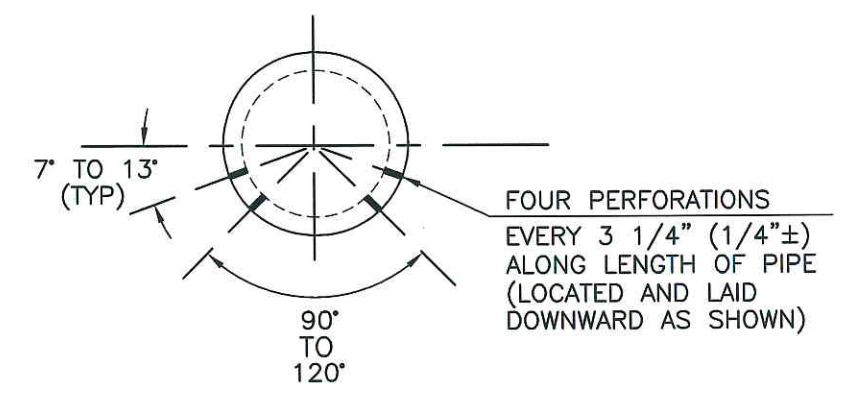


SECTION VIEW

STANDARD CRITERIA	UNIT	TEST METHOD	VALUE
Permittivity	sec ⁻¹	ASTM-D-4491	0.2
A.O.S.	U.S. Sieve #	ASTM-D-4751	100+
Elongation	%	ASTM-D-4632	50
Grab Tensile Strength	N	ASTM-D-4632	1100
Sewn Strength	N	ASTM-D-4884	990
Puncture	N	ASTM-D-4833	400
Trapezoidal Tear	N	ASTM-D-4533	400
U.V. Resistance	AT 500 Hrs.	ASTM-D-4355	50%

GENERAL NOTES

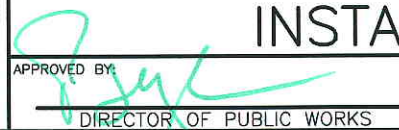
- All values except A.O.S. and Elongation are MINIMUM AVERAGE ROLL VALUES in the weakest principal direction. Values for A.O.S. and Elongation are MAXIMUM AVERAGE ROLL VALUES.
- For additional notes see FDOT STANDARD INDEX NO. 199.



PERFORATION DETAIL

NOTES:

- PVC PIPE SHALL CONFORM TO EITHER ASTM F758 OR ASTM D3034, EXCEPT THAT THE SIZE AND ARRANGEMENT OF PERFORATIONS SHALL CONFORM TO THE PERFORATION DETAIL ON THIS SHEET.
- AGGREGATE SHALL BE AS SPECIFIED IN THE FDOT STANDARD SPECIFICATIONS, SECTION 901, AND SHALL BE SIZE 57.
- DIAMETER OF PERFORATIONS SHALL BE 3/16" TO 3/8".
- MAXIMUM ALLOWABLE BEND SHALL BE 22.5°, WITH A STRAIGHT 2' MINIMUM PIPE SEPARATION BETWEEN BENDS.
- DO NOT USE PERFORATED PVC PIPE OR AGGREGATE UNDERNEATH ROADWAYS.

DEPARTMENT OF PUBLIC WORKS PINELLAS COUNTY, FLORIDA			
ROADSIDE UNDERDRAIN INSTALLATION			
APPROVED BY: 	DATE 7/09	SHEET 1 of 1	INDEX 1290
DIRECTOR OF PUBLIC WORKS			