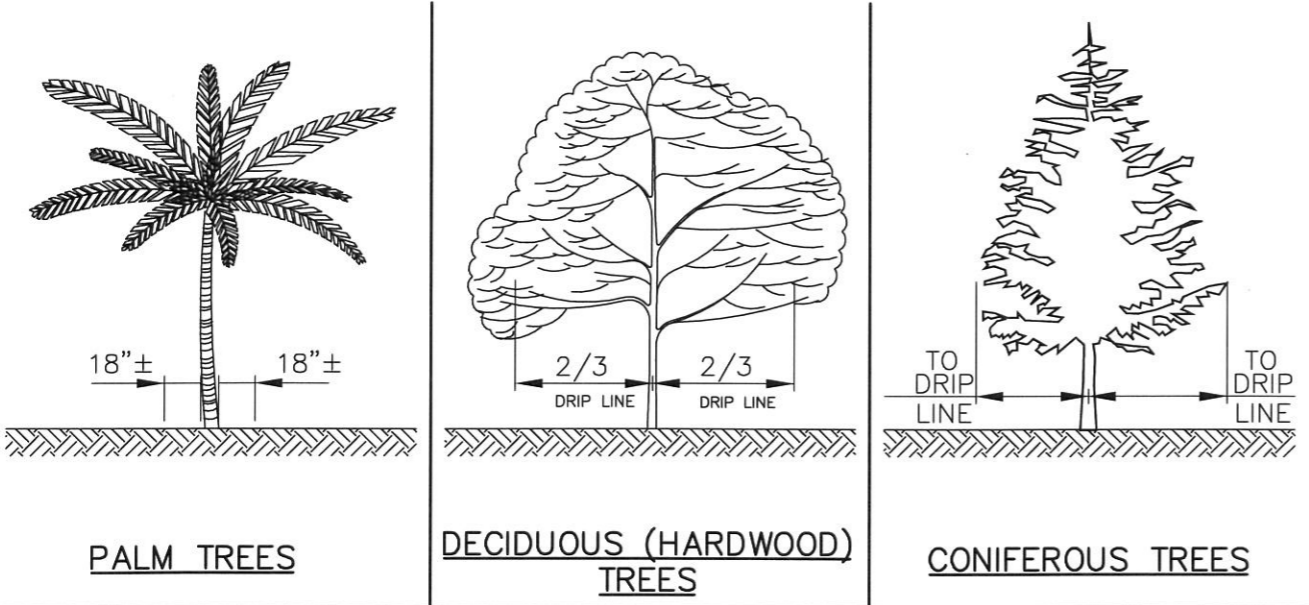


SPECIAL NOTES:

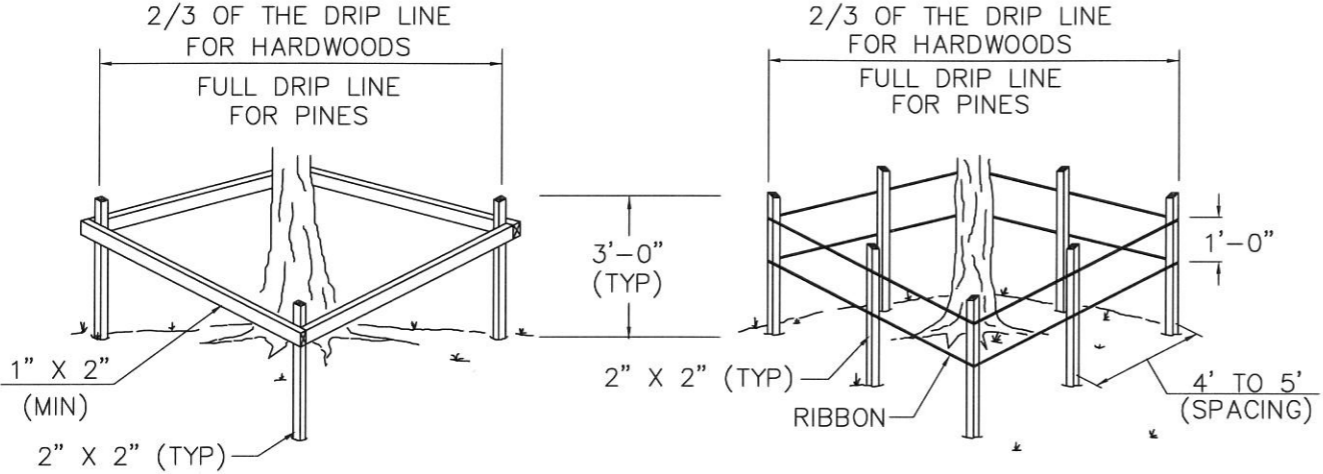
1. NO TREE SHALL BE REMOVED UNLESS SPECIFICALLY TAGGED FOR REMOVAL BY THE ENGINEER.
2. THE CONTRACTOR SHALL TAKE SPECIAL CARE NOT TO DAMAGE TREES THAT ARE TO REMAIN. DAMAGE SHALL BE DEFINED BY PINELLAS COUNTY D.E.M. REPRESENTATIVE.
3. ROOTS GREATER THAN 1" DIAMETER SHALL NOT BE CUT UNLESS OTHERWISE APPROVED BY THE ENGINEER.
4. TREE ROOTS OF 1" DIAMETER OR LARGER THAT NEED TO BE CUT SHALL BE CUT NEATLY.
5. STOCKPILED MATERIALS OR UNNECESSARY VEHICULAR TRAFFIC SHALL NOT BE ALLOWED OVER ANY TREE ROOTS SYSTEM.
6. TYPE-A BARRIER OR TYPE-B BARRIER SHALL BE CONSTRUCTED WHEN CALLED FOR ON PLANS OR AS DIRECTED BY THE ENGINEER. BARRIERS SHALL BE MAINTAINED IN PLACE UNTIL REMOVAL IS DIRECTED BY THE ENGINEER.
7. COST OF ALL TREE BARRICADES SHALL BE INCLUDED IN PAY ITEM 120-1100 (GRADING).
8. THE CONTRACTOR SHALL USE CARE WHEN SEVERING TREE ROOTS SO THAT CATASTROPHIC STRUCTURAL FAILURE OF THE TREE(S) DOES NOT OCCUR. CONTRACTOR SHALL CONSULT WITH PINELLAS COUNTY D.E.M. REPRESENTATIVE SHOULD ROOTS NEED TO BE SEVERED TO DETERMINE IF TRIMMING OF ROOTS IS CLOSE ENOUGH TO THE TREE TO CAUSE FAILURE.



PALM TREES

DECIDUOUS (HARDWOOD) TREES

CONIFEROUS TREES



TYPE A BARRIER

TYPE B BARRIER

TREE PROTECTION BARRIERS DETAIL
NTS

DEPARTMENT OF PUBLIC WORKS PINELLAS COUNTY, FLORIDA			
TREE PROTECTION			
APPROVED BY: <i>[Signature]</i> DIRECTOR OF PUBLIC WORKS	DATE 11/04	SHEET 1 of 1	INDEX 1111